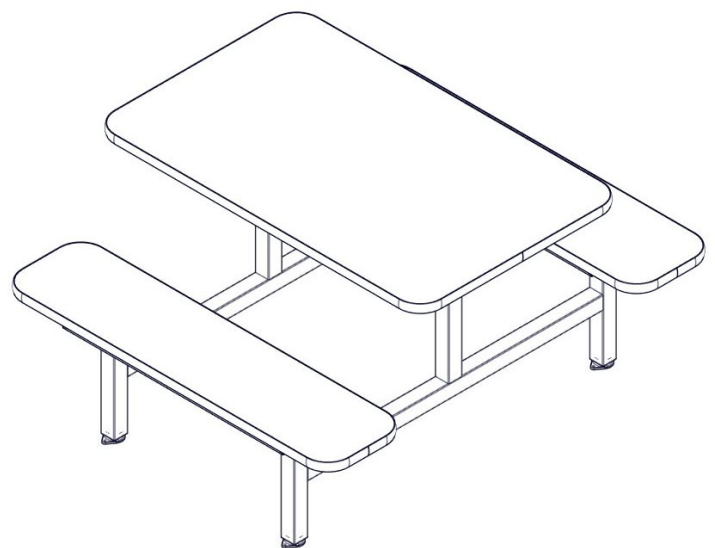


Installation Manual

INDUTRIAL FLAT BENCH

Z000000049

Revised 5/02/2023



Address 615 CENTENIAL DRIVE
KENYON, MN 55946

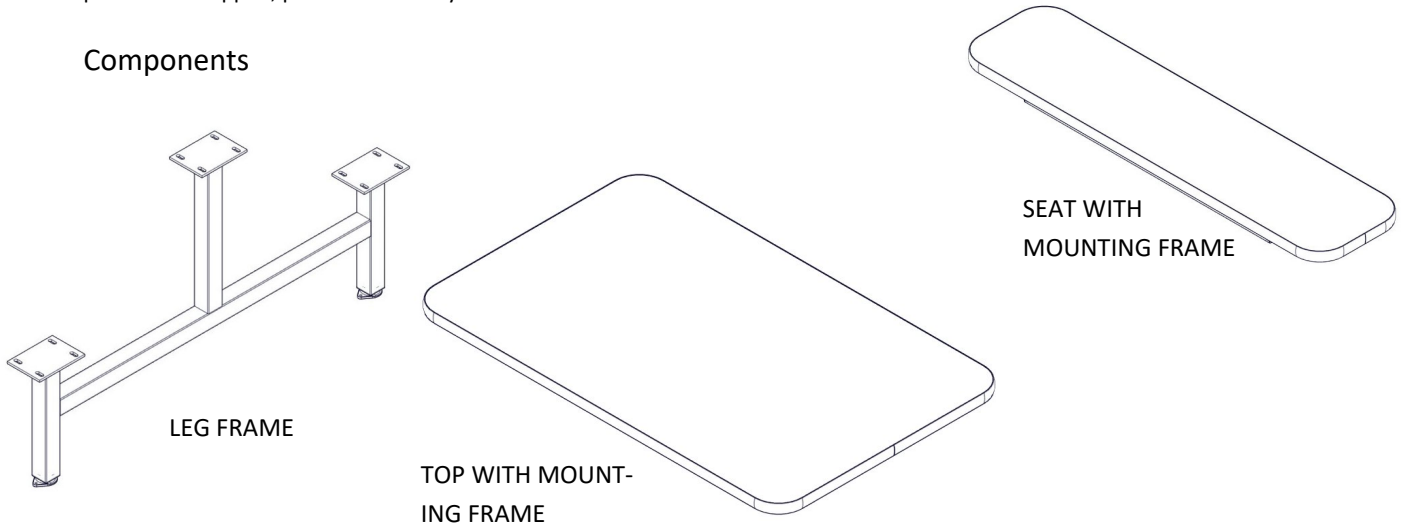
Web Plymold.com
Phone 800.PLYMOLD

 **Plymold**
A Division of Foldcraft

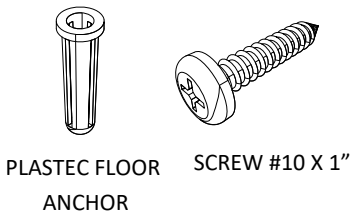
Unpacking Your Shipment

Unpack and identify each component in each box that you received. If your shipment is missing parts, or too many parts were shipped, please contact Plymold.

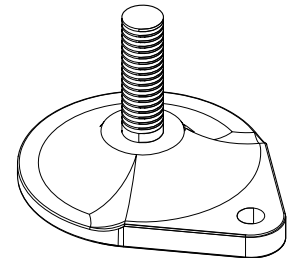
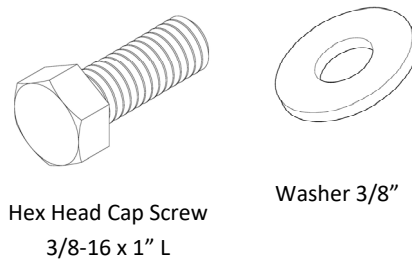
Components



P85996 TITAN FLOOR FASTENING HARDWARE KIT



P86629 BRUNSWICK HARDWARE KIT

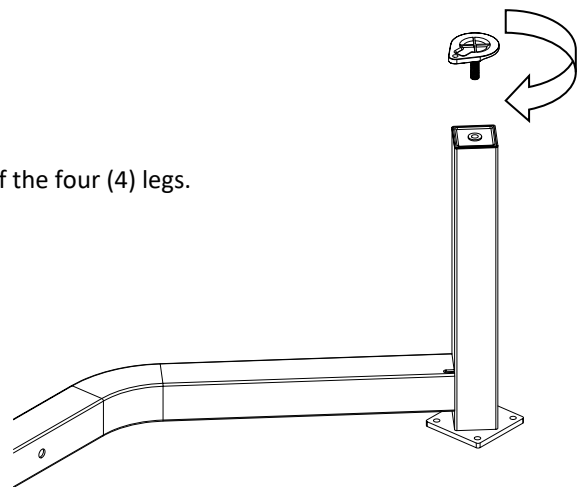


ADJUSTABLE PLASTIC GLIDE

Assembly

Step 1: Glide Assembly - Leg Frame

- a. Assemble a thread-in glide into the insert in each of the four (4) legs.

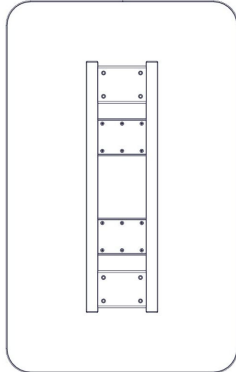


Step 2: Assemble Seats and Top to Frames

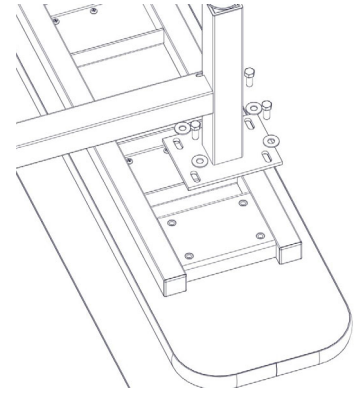
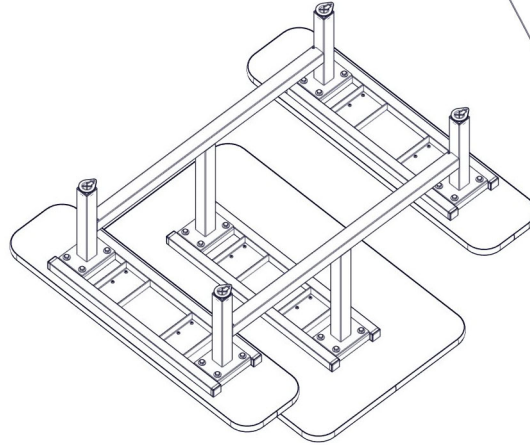
- a. Use 3/8-16 x 1" L Hex Head Cap Screws and 3/8" Washers to fasten the leg frames to the support frames already attached to the bottom of the seats and tops.



BOTTOM VIEW OF
SEAT WITH SUPPORT
FRAME ATTACHED

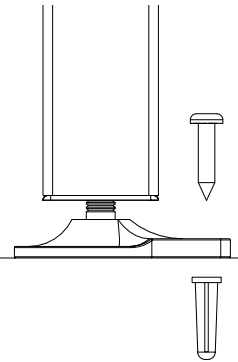


BOTTOM VIEW OF TOP
WITH SUPPORT FRAME
ATTACHED



Step 3: Fasten Glides to Floor

- a. Rotate glides to point the mounting hole towards the center of the booth.
- b. With a pencil, mark the hole location on the floor using the holes in the glide.
- c. Turn the glide away 90 degrees from its current position to expose the mark on the floor.
- d. Using a hammer drill and a 1/4" masonry bit, drill a 1 1/4" deep hole on the pencil mark.
- e. Place a plastic anchor in the hole and then rotate glide back so the hole lines up with the plastic anchor in the floor.
- f. Insert a #10 x 1.0" screw through the hole in the glide and secure into the plastic anchor.



Note: Frames must be anchored to the floor to maintain stability and prevent personal injury.

Step 4: Care.

- a. Clean furniture and protect unit until ready for use.